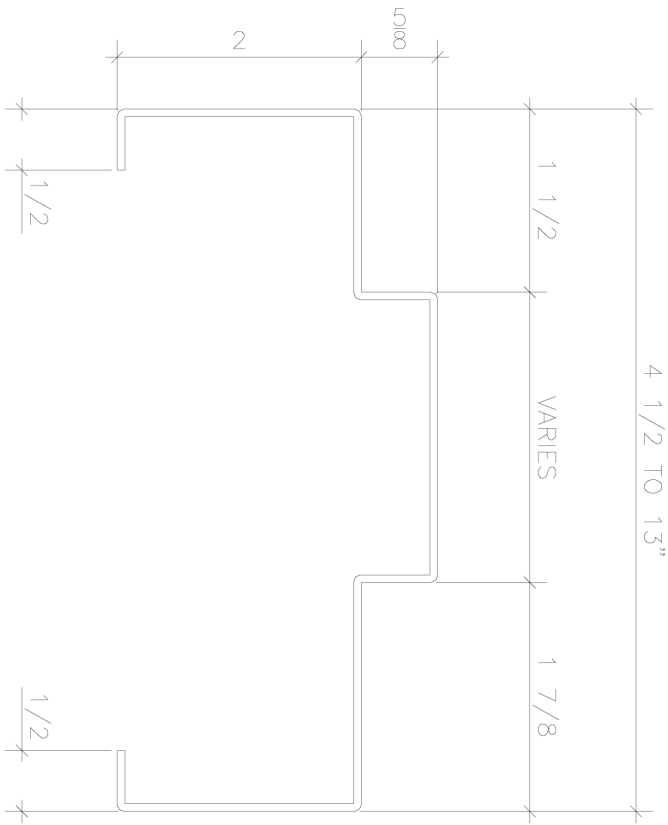
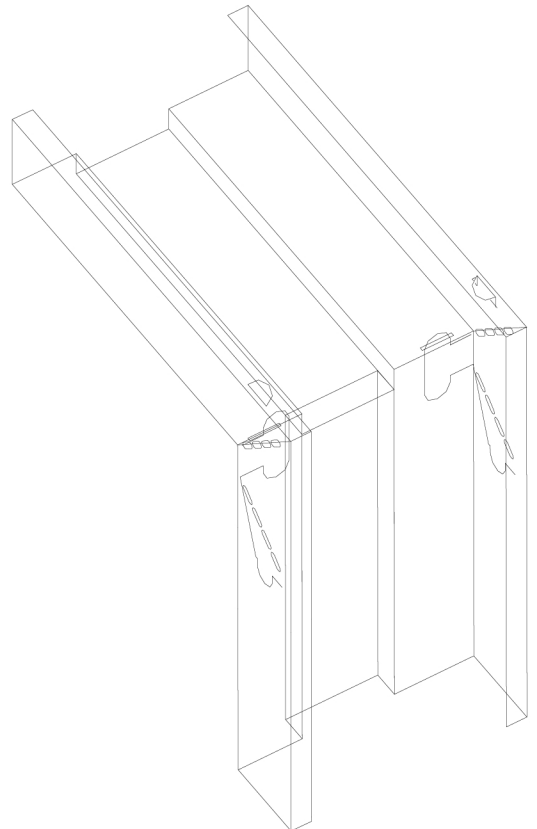




# AS ENGINEERED SECTION & PROFILE



SECTION THRU



CORNER PROFILE